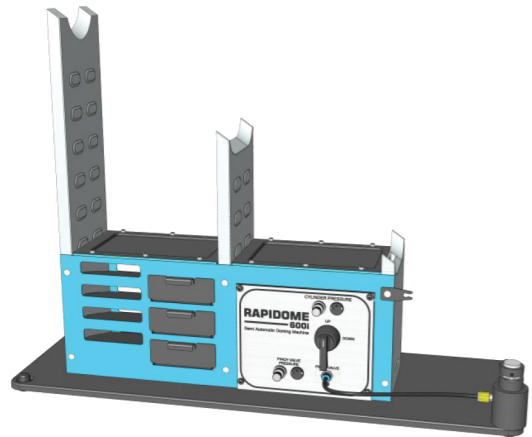
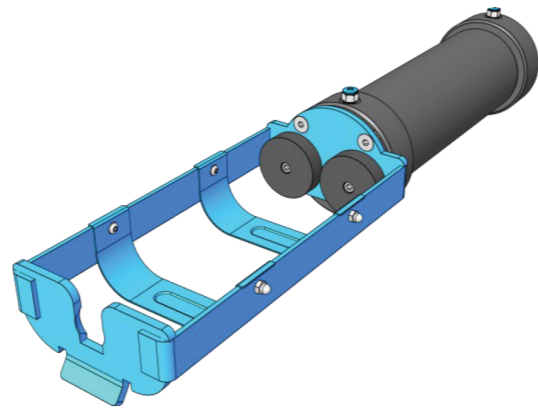


Items Included:



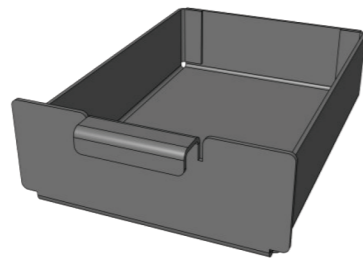
Base unit with control panel and pinch valve



Cylinder unit



Footswitch



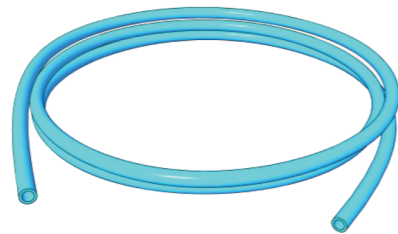
Accessory Drawer



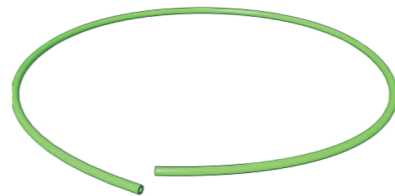
Waste cup



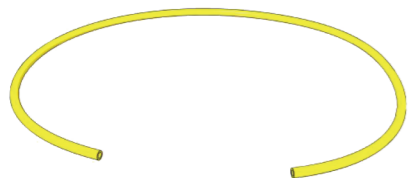
Bicarbonate of soda 100g



8mm Blue tube x 2000mm



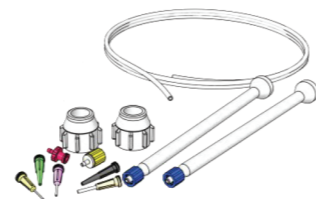
4mm Green tube x 650mm



4mm Yellow tube x 500mm



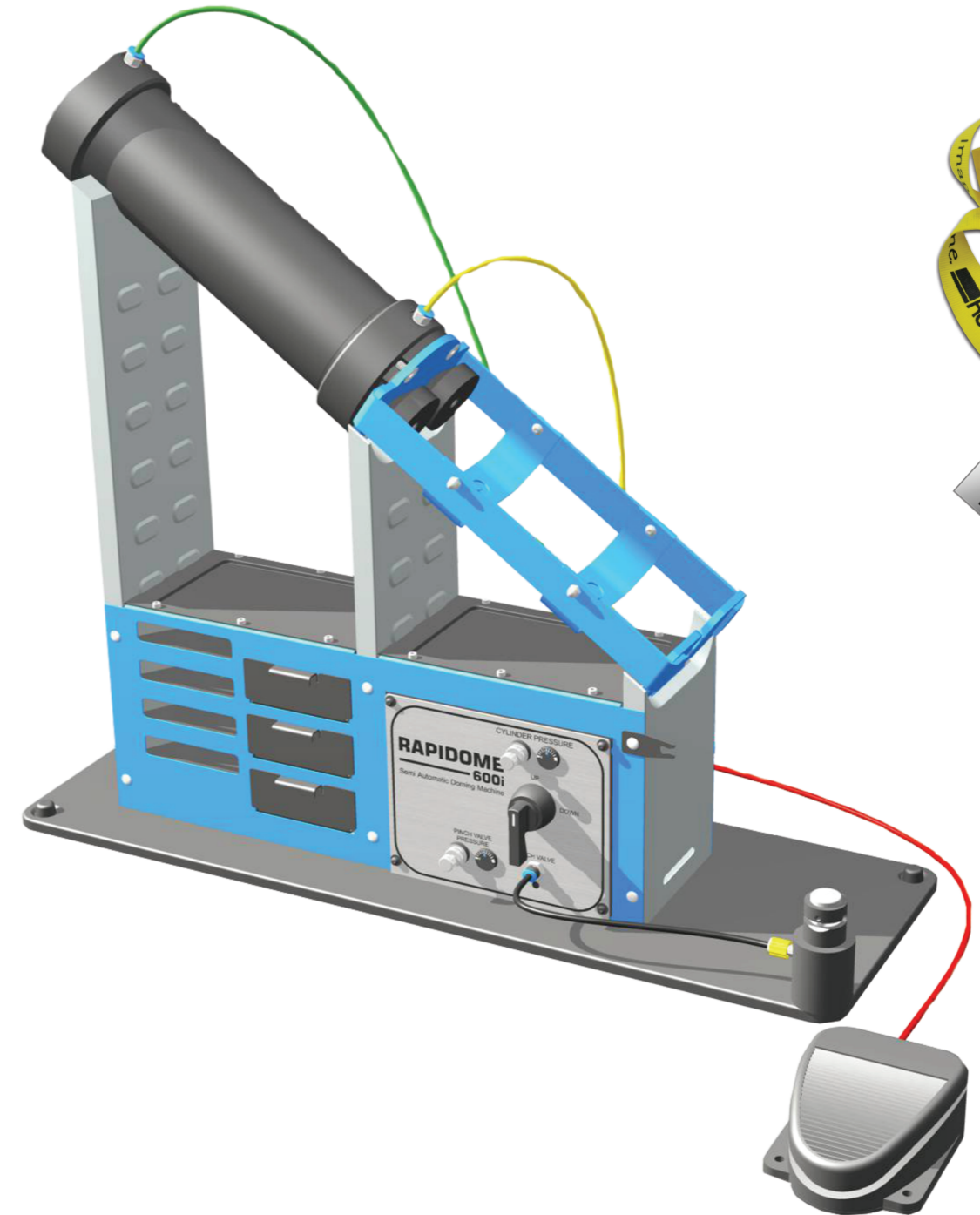
4mm Black tube x 220mm with luer fitting



Dispensing accessories

Rapidome

600i

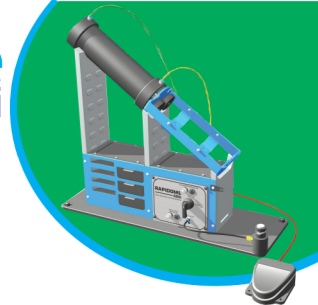
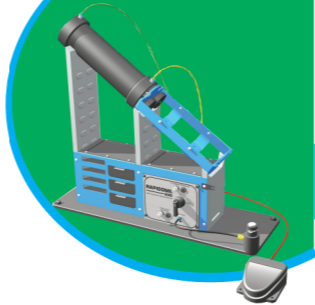


Roland

For more information
www.rolanddg.co.za / sales@rolandg.co.za
 +27(11) 875 9300 / 08600 ROLAND (765263)

Easy to operate,
 Ideal for large volume dispensing
 & Dosing

Roland



Features:

The Rapidome 600i semi-automatic dispensing machine is a desktop unit intended for the dispensing of two-component (2K) products contained in 600ml cartridges. The machine requires an air compressor to operate. Dispensing is user-controlled with a footswitch. Products are dispensed via a light-weight hand-held dispensing tube. Sealed cartridges used with this machine reduce contamination of product being dispensed thereby enhancing self-life. No pre-mixing of components is necessary, eliminating chance of inaccurate mix-ratios. Components are mixed through a static mixing nozzle as product is dispensed, ensuring thorough mixing without the introduction of air through stirring. No degassing is required increases quality, especially on fast-curing materials. Reduces mess and wastage.

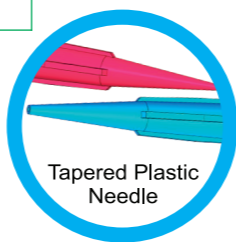
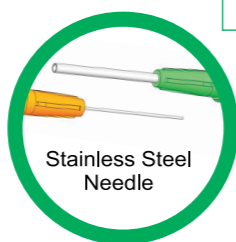
Specifications:

Capacity	Up to 50ml per minute
Cartridge	600ml Nordson side by side
Dimensions	530mm H x 690mm L x 310mm W
Compressed Air Requirements	Between 5 & 9 bar (6 bar ideal)

Dispensing Needles

Tapered Plastic	Applications	Stainless Steel
■	Beading/ Striping	■
▲	Depositing in Recesses	■
■	Easily Scratched Substrates	▲
✘	Microdot Deposits	■
■	Spreading/ Smearing	▲
Fluids		
■	Adhesives	■
■	Anaerobics	▲
■	Conformal Coatings	▲
■	Cyanoacrylates	▲
■	Epoxies	■
■	Fast-curing Adhesives	▲
■	Fluid Reactive to Metals	✘
■	Greases	■
✘	Low Viscosity Fluids	■
■	Oils	■
■	Paints	■
■	Particle-Filled Pastes	■
■	Sealants	▲
■	Solder/Braze Paste	■
■	Solder Mask	■
✘	Solvents	■

KEY	
■	Recommended
▲	Satisfactory
✘	Do Not Use



PART NUMBER	DESCRIPTION
20514BN	Dispense Needle 14G 1.63mm Metal Green
201514TT	Dispense Needle 14G 1.63mm Plastic Beige
20516BN	Dispense Needle 16G 1.29mm Metal Purple
20516TT2	Dispense Needle 16G 1.29mm Plastic Grey
20518BN	Dispense Needle 18G 1.02mm Metal Pink
20518TT2	Dispense Needle 18G 1.02 Plastic Green
20520BN	Dispense Needle 20G 0.81mm Metal Yellow
20250TT	Dispense Needle 20G 0.81mm Plastic Pink
20522BN	Dispense Needle 22G 0.64mm Metal Black
20522TT2	Dispense Needle 22G 0.64mm Plastic Blue
20524BN	Dispense Needle 24G 0.51mm Metal Orange
20525TT2	Dispense Needle 25G 0.45mm Plastic Red

Optional Accessories:

PART NUMBER	DESCRIPTION
ULTRADOME600	600ml Resin Cartridge
160624LL	Static Mixer
AN10PP	3/8 inch Polypropylene Nut
LDPE02-2031M	Tubing Low Density Polyethlne 3/32
LDPE02-3031M	Tubing Low Density Polyethlne 1/8
LTCX86-FAO	Tubing Vinyl 6 (PVC) 4 x 2.4mm
LTAX36-ANO	Tubing Polyurethane 4 x 2.4mm
LTCX36FRO	Tubing Vinyl 7 (PVC) 4 x 2.4mm
LTEX72-TEO	Tubing Polyethylene 3.17 x 6.35mm
LTEX88-TEO	Tubing Polyethylene 1.58 x 3.17mm
LTFX85-TPO	Tubing Polypropylene 1.58 x 3.17mm
LTFX86-TPO	Tubing Polypropylene 3.17 x 6.35mm
LTDX87CAO	Tubing Vyplas 4 x 2.4mm

PART NUMBER	DESCRIPTION
FSLLR-07	Finger Snap Luer - Yellow
FRLL220-3	Female Luer Barb 3/32 inch- Red
FTLL230-5	Female Luer Barb 1/8 inch
FLHX15-PPO	Female Polypropylene Thread Luer 1.58mm
KFTLL-1	Female Thread 1/4 inch HEX10-32 UNF
MLAX22-PPO	2.36mm Male Luer with Lock Ring
MLAX26-PPO	3.17mm Male Luer with Lock Ring
MLAX70-PPO	1.58mm Male Luer with Lock Ring
MLRL007-6	Male Luer 2.25mm ID Tubing
M6240-6	Male Luer 5/16 inch HEX200 Barb 5/32 inch
MLRL013-6	Male Luer 500 Series Barb 1/8 inch
MTLL445-6005	Male Luer Integral Ring 0.17mm
VPS540100N	Check Value Slip Male Luer

